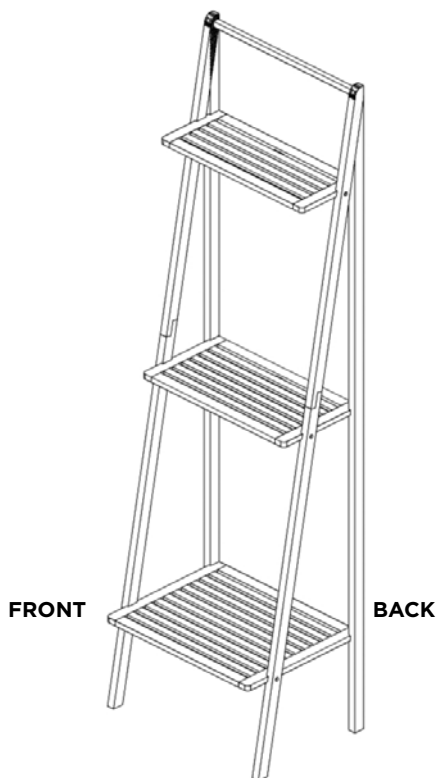









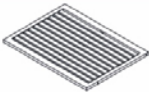
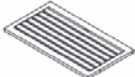






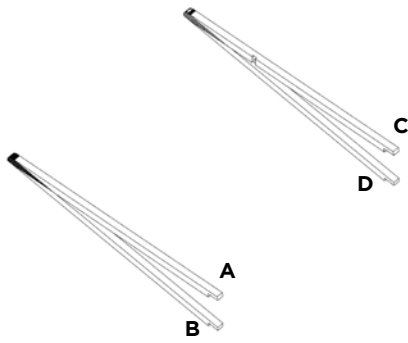
Garden Wall Shelf

Quick Setup Guide



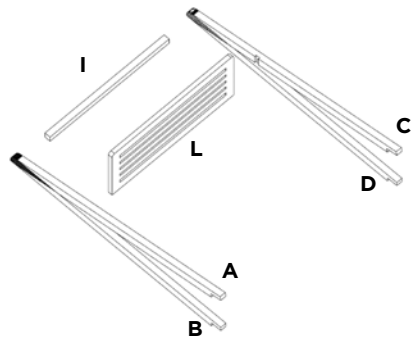
 A x 1	 B x 1	 C x 1	 D x 1	 E x 1
 F x 1	 G x 1	 H x 1	 I x 1	 J x 1
 K x 1	 L x 1	 M x 14	 L x 8	 M x 1

Please Note: Place all bamboo parts on a clean, dry, and smooth surface like the carpet to avoid scratching the bamboo. Please follow the assembly instructions on the reverse side.



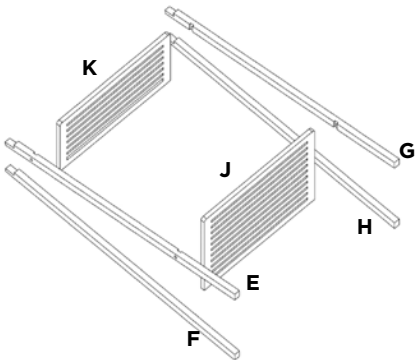
Step 1.

Clasp together post (A) to post (B) to form top left frame. Clasp together post (C) to post (D) to form top right frame.



Step 2.

Attach top support bar (I) and smallest shelf (L) to left and right top frames. Screw all parts using 6 (M) screws and the provided hex wrench.



Step 3.

Attach left posts (F) and (E) and right posts (H) and (G) to shelves (K) and (J) as show on image. Secure using 8 (M) screws and the provided hex wrench.



Step 4.

Stack the top section onto the bottom section using the 8 (L) screws and the proved hex wrench. Tighten all screws. Place it against your favorite wall.

If you have any questions please feel free to contact our customer service representatives:
 US: 1-800-476-9669 | Canada: 1-800-611-9058



We also have an active Facebook Community that loves to answer questions at [facebook.com/aerogarden](https://www.facebook.com/aerogarden). "Like" us for special offers and community fun!



P.O. Box 18450, Boulder, CO 80308-1450
 ©2019 AeroGrow International, Inc. 091319 507350 AC